

Installation Instructions

1. Attach bongos to wall mount with the M10x50 security screws, square washers and PU mounts. (1.1) (See Assembly Guide)

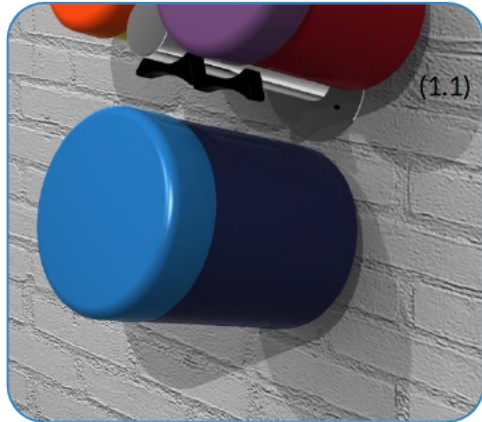
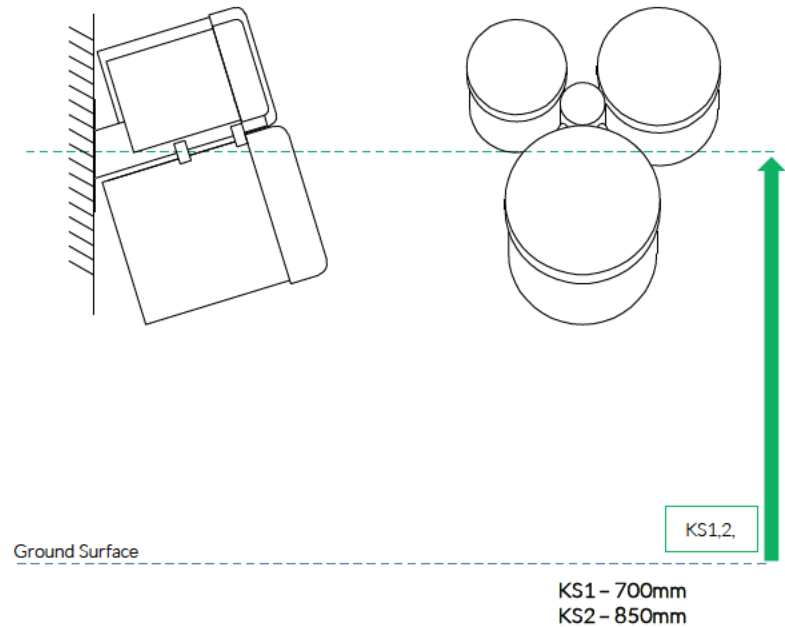
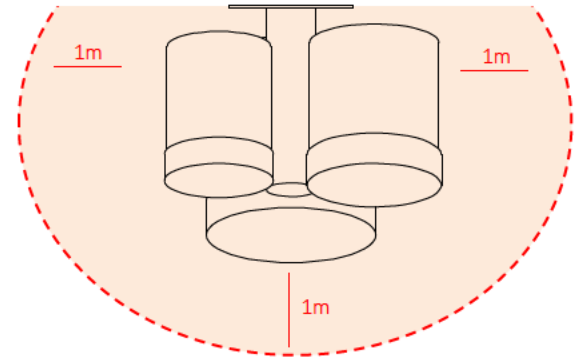
2. Position Bongos in desired location, according to correct Key stage height, this may require 2 persons.

3. Mark hole locations (X3) on Using mount plate as a guide, making sure instrument is level. Use Template supplied

4. Drill hole locations (X3) according to your chosen fixings (frame fixings, wall bolts or chemical anchors) depending of the structure of the wall.

5. Fix through Plate (X3) with suitable fixings (not supplied) in correct orientation and Key stage

Install Instrument with 1m free space (from widest point) around t.







Wall Mounted

Rainbow Trio Bongos
1 of 2



Instrument Components:

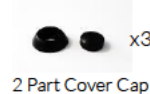
-  x6
-  x6
-  x4
-  x2

Metric Conversion:
700mm/ 28"
850mm/ 33"
1m/ 39"

Weight of heaviest part 7 kg (bongos)




Wall Fix Components:



Wall Anchors not supplied

Tools:

 x1
TX 45 Driver Bit

Wall Mounted

Rainbow Trio
Bongos
2 of 2



Instrument Components:



x6

M10x50 Security Screw



x6

M10x50x3 Square washer



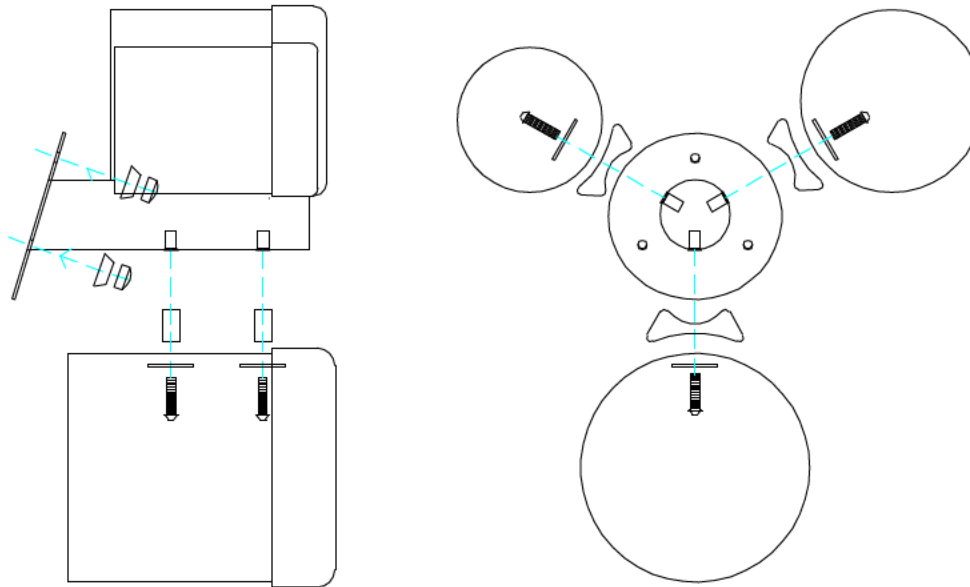
x4

PU 200 Mount



x2

PU 250 Mount



COMPONENTS LIST:



M10x50 Pin torx X6



M10x50x3 square washer X6



HDPE MOUNT 200 X4



HDPE MOUNT 250 X2



2 Part Cover Cap X3



Played with hands

Wall fixings are not supplied, installer will select suitable method of fixing. Suggested Fixing M8-M10 Rawl Bolt



Spares available from
percussionplay.com or from your
local distributor

7 Kg